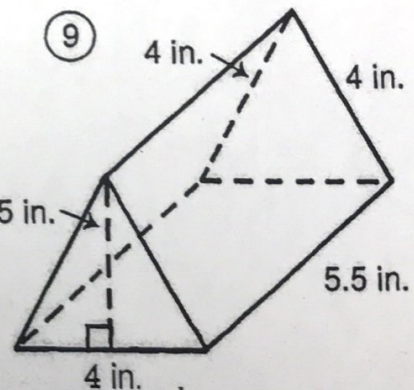
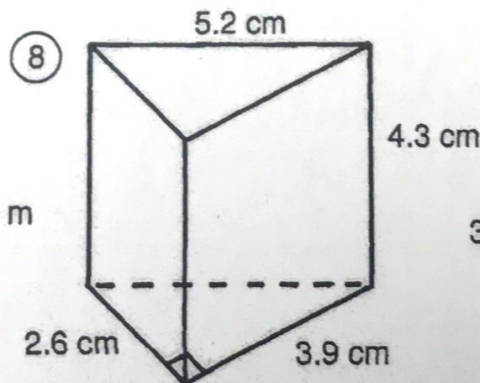
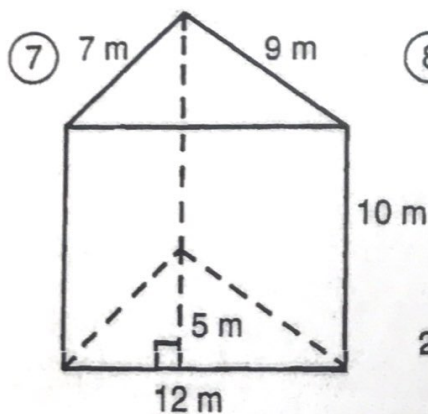
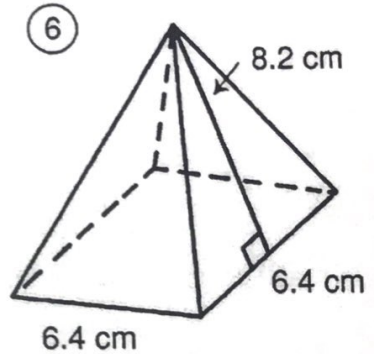
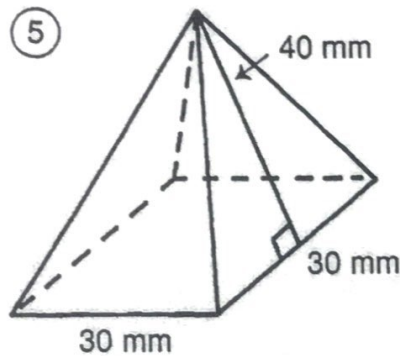
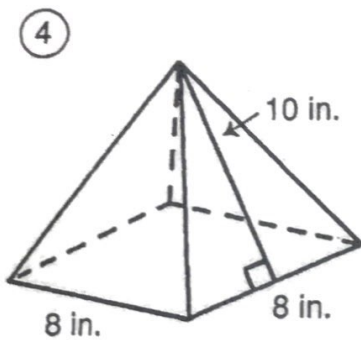
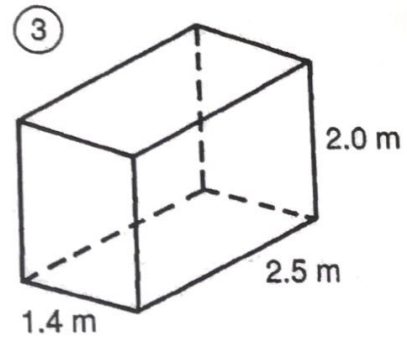
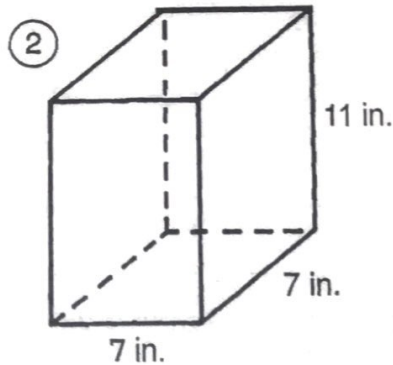
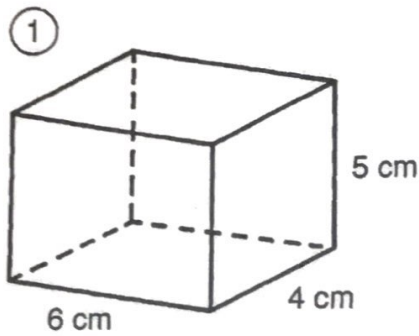


What Is Cold And Comes In Cans?

Find the surface area of each figure. Cross out the box containing each correct answer. When you finish, write the letters from the remaining boxes in the spaces at the bottom of the page.



MU	RI	CH	OW	OP	FO	IL
340 m ²	224 in. ²	3,120 mm ²	148 cm ²	80 in. ²	3,300 mm ²	118 in. ²
IB	AR	CL	EA	CA	NS	KE
81.5 cm ²	22.6 m ²	60.45 cm ²	312 m ²	145.92 cm ²	25.8 m ²	406 in. ²