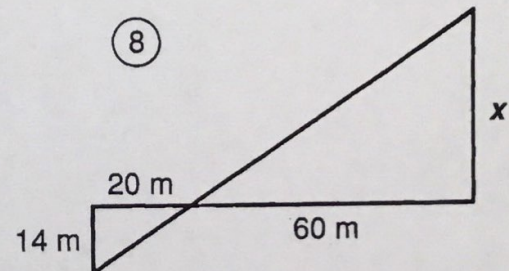
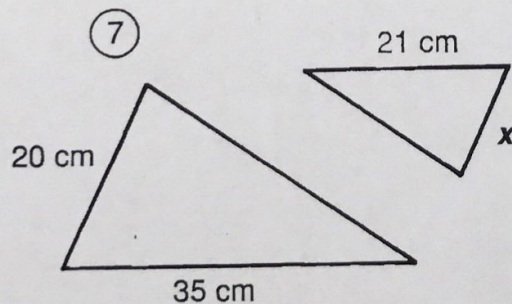
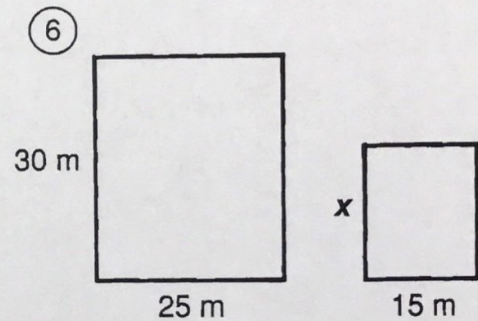
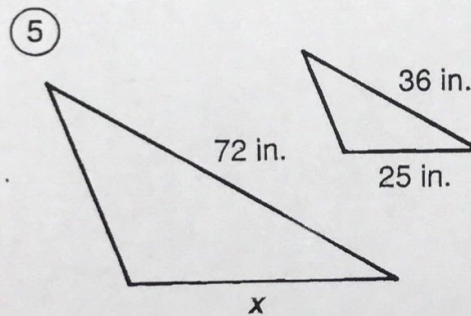
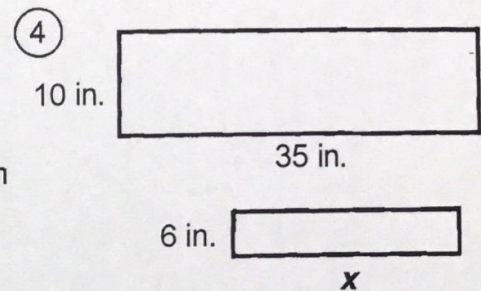
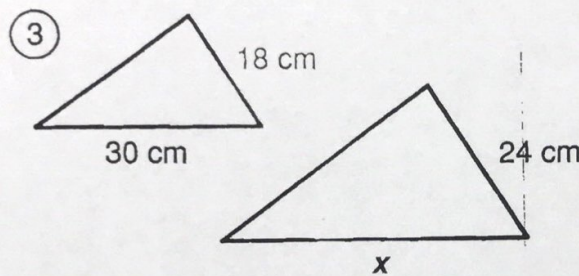
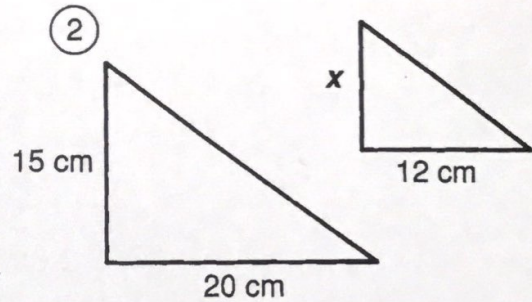
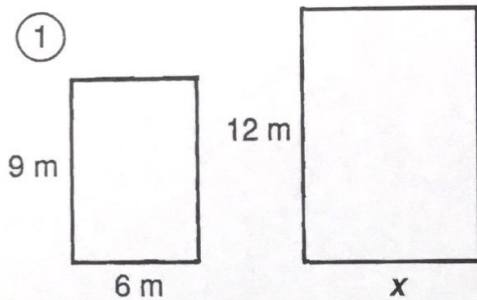


# What Is a Termite's Favorite Breakfast?

For each pair of similar figures, find the length  $x$ . Cross out the letter next to your answer. When you finish, the answer to the title question will remain.

E  
L  
T  
A  
G  
G  
E  
S  
M  
K  
D  
A  
C  
O  
O  
F  
W

9 cm
14 cm
15 ft
20 m
50 in.
8 m
24 in.
12 cm
16 ft
46 m
21 in.
44 cm
10 cm
18 m
48 in.
40 cm
42 m



- ⑨ A flagpole casts a shadow 10 ft long. If a man 6 ft tall casts a shadow 4 ft long at the same time of day, how tall is the flagpole?

- ⑩ A photograph is 25 cm wide and 20 cm high. It must be reduced to fit a space that is 8 cm high. Find the width of the reduced photograph.