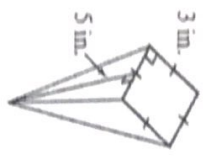
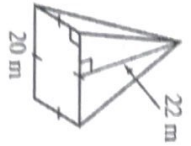
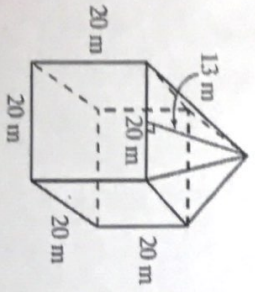
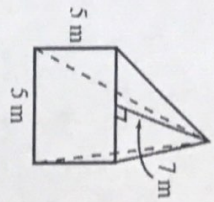
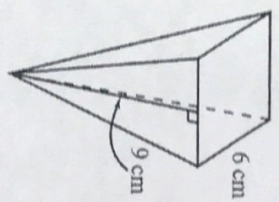


Wrapping Up Surface Area

Name: _____ Date: _____ Period: _____

Find the surface area of each three-dimensional figure. Show all steps and work to support your answers.

	
	
<p>If the length, width, and height of a rectangular prism are 4 yards, 8 yards, and 11 yards respectively, what would be the surface area?</p>	

Name: _____ Date: _____ Period: _____