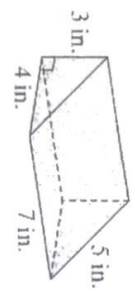

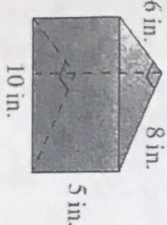


Practice with Surface Area of Triangular Prisms

Use the process developed during class to find the surface area of the following triangular prisms. Be sure to show all steps in a neat and organized way.

Name: _____ Date: _____ Period: _____

Name: _____ Date: _____ Period: _____

