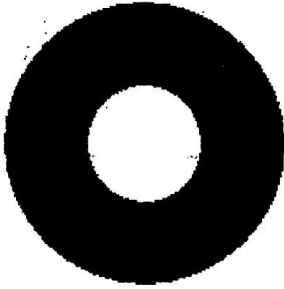


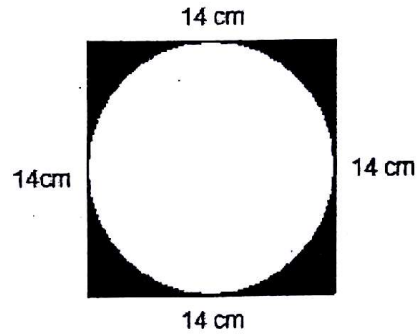
Name : _____

Date : _____

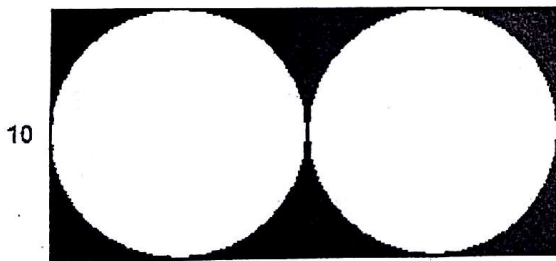
- 1) Find the area of the shaded region if the big diameter is 12 in, and the small diameter is 8 in.



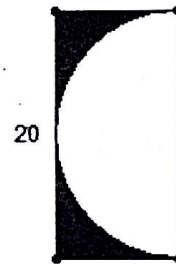
- 2) Find the area of the shaded region.



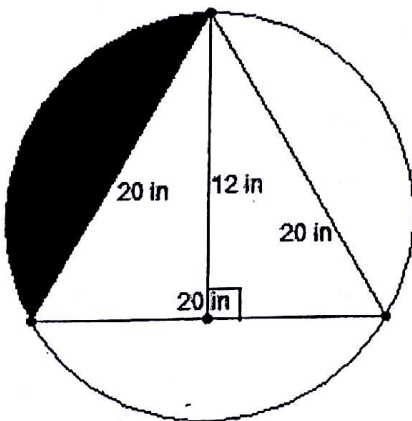
- 3) Find the area of the shaded region:



- 4) Find the area of the shaded region



- 5) Find the area of the shaded region if the radius of the circle is 9 in,



- 6) Find the area of the shaded region

